

Maths Revision Booklet

for CCEA GCSE 2-tier specification

M2

Lowry Johnston

Name:

© Lowry Johnston and Colourpoint Creative Ltd 2019

ISBN: 978 1 78073 193 3

First Edition
First Impression

Layout and design: April Sky Design
Printed by: Peninsula Print and Design

All rights reserved. No part of this publication may be reproduced, stored in a retrieval system or transmitted in any form or by any means, electronic, mechanical, photocopying, scanning, recording or otherwise, without the prior written permission of the copyright owners and publisher of this book.



Colourpoint Educational
An imprint of Colourpoint Creative Ltd
Colourpoint House
Jubilee Business Park
21 Jubilee Road
Newtownards
County Down
Northern Ireland
BT23 4YH

Tel: 028 9182 0505
E-mail: sales@colourpoint.co.uk
Web site: www.colourpoint.co.uk

Publisher's Note: This book has been written to help students preparing for the GCSE Mathematics specification from CCEA. While Colourpoint Educational and the authors have taken every care in its production, we are not able to guarantee that the book is completely error-free. Additionally, while the book has been written to closely match the CCEA specification, it is the responsibility of each candidate to satisfy themselves that they have fully met the requirements of the CCEA specification prior to sitting an exam set by that body. For this reason, and because specifications change with time, we strongly advise every candidate to avail of a qualified teacher and to check the contents of the most recent specification for themselves prior to the exam. Colourpoint Creative Ltd therefore cannot be held responsible for any errors or omissions in this book or any consequences thereof.



Maths Revision Booklet

for CCEA GCSE 2-tier specification

M2

Lowry Johnston

Contents

A calculator may be used in these exercises.



Revision Exercise 1	3
Revision Exercise 2	10
Revision Exercise 3	17
Revision Exercise 4	24
Revision Exercise 5	31
Answers	38



Revision Exercise 1

1. (a) Express as a power of 3:

(i) $3 \times 3 \times 3$

Answer _____

(ii) 9

Answer _____

(b) From the following list of numbers

12, 24, 36, 72

write down:

(i) the highest common factor (HCF)

Answer _____

(ii) the lowest common multiple (LCM)

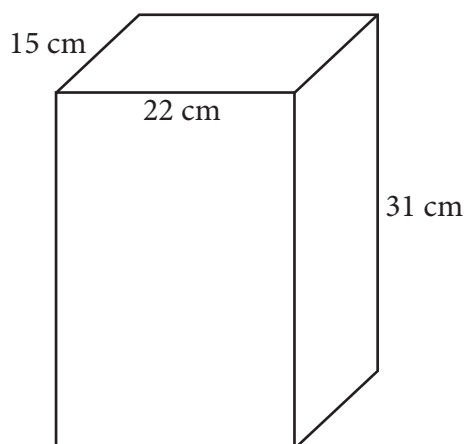
Answer _____

(c) Jen saves her 1p and 2p coins. She has x 1p coins in one jar and x 2p coins in another jar. The total amount that she has in the two jars is £3.60

Form an equation and use it to find the value of x .

Answer $x =$ _____

2. A chef buys cooking oil which is delivered in cans which are cuboids. The cans measure 22 cm long, 15 cm wide and 31 cm high.



(a) What is the volume of a can of cooking oil?

Answer _____ cm^3

(b) Write your answer correct to 2 significant figures.

Answer _____ cm^3

3. (a) Hester pays £9.01 for a SIM only deal which allows unlimited texts and 500 minutes of phone calls per month. Her contract is for 24 months.
How much will she pay over the 24 months?

Answer £ _____

- (b) She decides to change her phone and is offered two options.
Option 1: continue paying £9.01 per month and buy a new phone for £110.00
Option 2: pay £15 per month for 24 months and get the phone free.

- (i) Which is the best option over 24 months?

Answer _____

- (ii) How much would she save by choosing this option?

Answer £ _____

4. (a) A taxi firm charges £2.50 per fare plus 50p per mile.

- (i) How much would a 13 mile taxi fare from Bangor to Belfast cost?

Answer £ _____

- (ii) How far did Mariam travel if her taxi fare cost £17.50?

Answer _____ miles

- (b) The cost of tickets for a Pantomime are:

Adult £22.00 Child £11.00 Senior Citizen £15.00

A family spends £70.00 on tickets. They buy at least one of each type of ticket.
How many of each ticket do they buy?

Answer _____ Adult tickets

Answer _____ Child tickets

Answer _____ Senior Citizen tickets

